

SPORTS AFIELD®

E s t a b l i s h e d 1 8 8 7

YOSEMITE 4 GUN SAFE | INSTRUCTION MANUAL

IMPORTANT:

Please read this information and follow all safety rules carefully before operating your gun safe. Failure to do so will void your warranty.

WARNING



Tip Over Hazard

A child or adult can tip the safe and be killed or seriously injured.

Failure to secure the safe as shown in these instructions can result in death or serious injury to children and adults.

Children should not play with or around the safe at any time.

DISCLAIMER - READ BEFORE SAFE SETUP

PLEASE READ THIS INFORMATION CAREFULLY BEFORE OPERATING YOUR SPORTS AFIELD SAFE.

DO NOT LOCK THIS MANUAL OR THE OVERRIDE ACCESS KEYS IN YOUR SAFE.

- Thank you for choosing a Sports field Safe to protect your valuables. We are committed to securing, organizing and protecting your most important documents, valuables and keepsakes.
- Your safe is built to last a lifetime. However, please understand that the locking mechanism has precision parts. If you experience ANY difficulty opening or closing your safe, **DO NOT FORCE THE SAFE OPEN.** Doing so may jam the components in the lock, which will require a safe technician to unlock your safe. This causes an inconvenience for you, and may lead to a claim denial.
- If you experience problems or challenges with your safe, please contact us. Many issues can be quickly resolved without the product being returned.

Customer Service - (888) 792-4264

SAFETY

- Safe bodies and doors are extremely heavy thus SA Products Requires a minimum of two people to insure stability of the safe during installation. Always ensure proper installation, as laid out in this manual, and do not open the door with the safe on an uneven or unstable floor. Ignoring this could result in serious injury or death.
- Keep a record of your combination number in a secure place, away from children, and separate from your safe. You will need this information along with your proof of purchase to obtain technical assistance and replacement keys.

WEAPON STORAGE

- If you choose to utilize this safe to store a weapon always follow proper weapon and local laws when storing a weapon.
- SA Consumer Products strongly recommends that you do not store loaded guns.
- Always follow the firearm safety rules set out by the firearm's manufacturer.
- A Sports Afield Safe or any other firearm storage device cannot take the place of other safety procedures including advising children of the dangers of firearms.
- SA Consumer Products and its distributors of the Sports Afield Safes do not recommend, suggest, advise, promote, or otherwise condone the ownership or use of firearms. We believe the decision to own or use a firearm is a serious decision that should only be made by an adult who has carefully considered the risks and benefits of such a decision.

TABLE OF CONTENTS

IMPORTANT INFORMATION	1
1 REGISTRATION	3
2 UNDERSTANDING YOUR SAFE	4
3 INSPECTION	6
4 UNBOXING	6
5 SHIPPING SKID REMOVAL	6
6 OPENING YOUR SAFE	7
7 E-LOCK BATTERY INSTALLATION	8
8 LOW BATTERY WARNING	9
9 E-LOCK SECURITY CODE SETUP	10
10 LOCKED OUT OF YOUR SAFE	11
11 E-LOCK QUIET MODE	11
12 PROPER PLACEMENT AND MOVEMENT OF SAFE	11
13 SECURING YOUR SAFE	13
14 GUN REST INSTALL	14
15 GUN REST STANDOFF INSTALL	14
16 LOADING YOUR SAFE	15
17 KEEPING SAFE DRY	15
18 MAINTAINING HINGES AND INTERNAL MECHANISM	15

THIS MANUAL SERVICES THE FOLLOWING STYLE NUMBERS

SA55-04MY

1. REGISTRATION

Please ensure you register your safe by visiting our website. Locate the “contact’ button located on the top header on the home page. Select registration from the drop down menu.

www.sportsafieldsafes.com

By registering your Sports Afield Safe we will be able to expedite and address any problems or challenges you may have which would otherwise require a notary letter and proof of payment.

REGISTRATION INFORMATION

The information you record onto this page will be required in the event you cannot access the contents of your Sports Afield Safe. Please fill out all the required information below and retain for your records and safe keeping.

PLEASE HAVE THIS INFORMATION READY PRIOR TO CALLING FOR TECHNICAL ASSISTANCE AT:

Customer Service - (888) 792-4264

PURCHASE DATE:

PURCHASE PRICE (BEFORE TAX):

MODEL NUMBER:

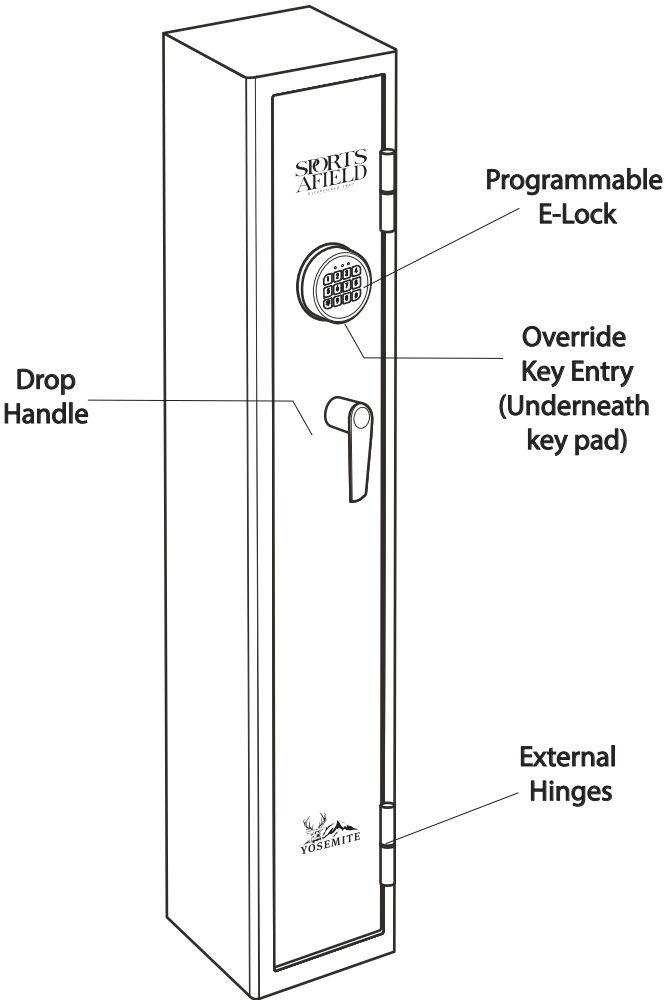
SERIAL NUMBER:

RETAILER PURCHASED AT:

KEY NUMBER (IF APPLICABLE):

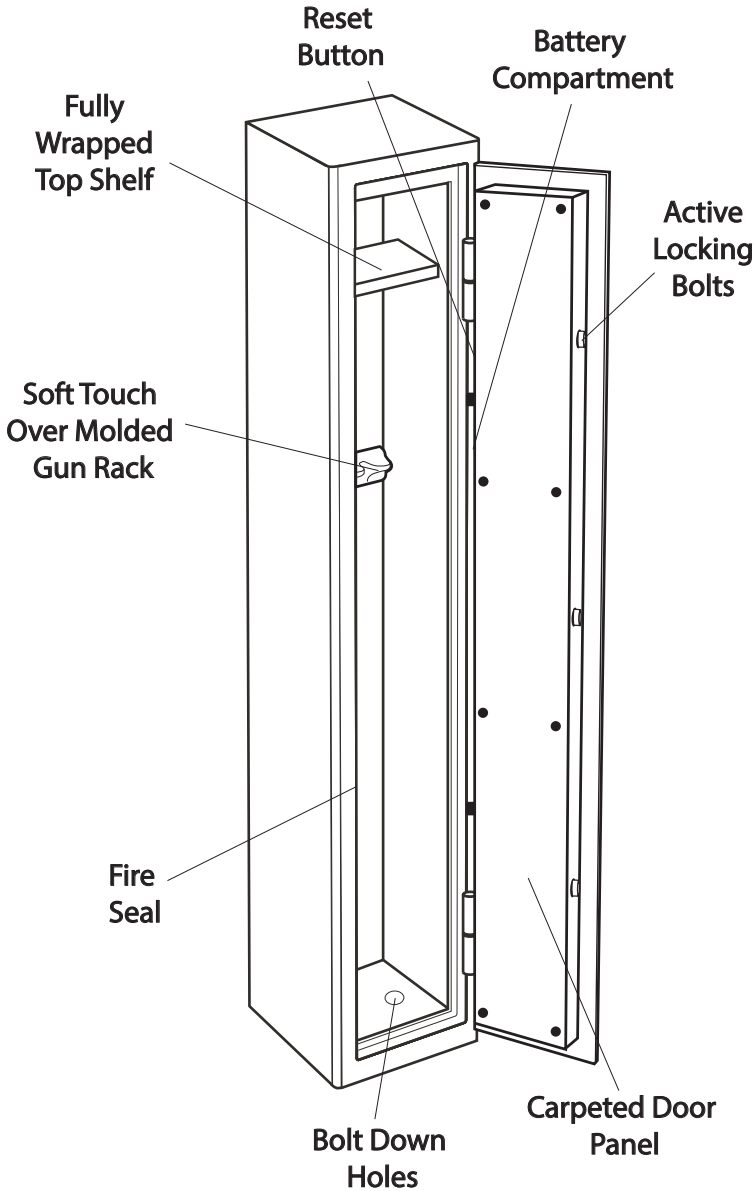
2. UNDERSTANDING YOUR SAFE

EXTERIOR (Closed)



UNDERSTANDING YOUR SAFE (Continued)

INTERIOR (Open)



3. INSPECTION

- Make sure to inspect your safe for shipping damage as soon as you receive it. If you find any damage, please contact the delivery company (or carrier) immediately.
- Any damage not noted upon delivery must be reported within fifteen (15) days or there will be no recourse. Any noted damage at the time of delivery must be resolved with the delivery company and/or retailer. Shipping damage is not warrantable by SA Products.

4. UNBOXING

WARNING: SAFES ARE HEAVY AND CAN BE UNSTABLE ON UNEVEN GROUND. PLEASE ENSURE EXTRA CAUTION WHEN DEALING WITH OR MOVING UNSECURED SAFES. WHILE UNBOXING BE SURE TO HAVE A SECOND PERSON HOLD AND STABILIZE THE SAFE TO KEEP IT FROM TIPPING, CAUSING INJURY, AND/OR DAMAGE TO THE SAFE AND SURROUNDING STRUCTURES.

Remove the packaging. Carefully remove the box, ensuring not to damage the safe and/or injure yourself. You will want to have someone stabilize the safe when removing the cardboard and other packing material from underneath the safe.

5. SHIPPING SKID REMOVAL

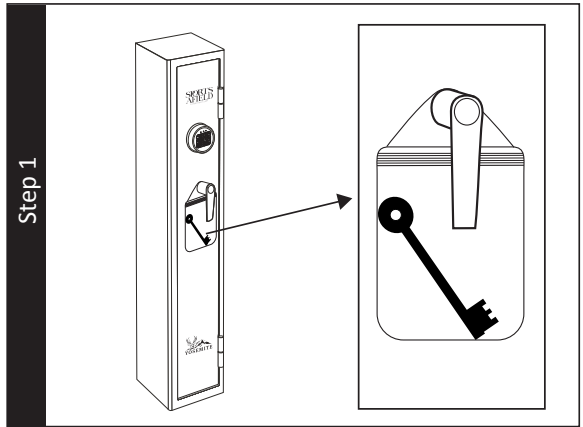
WARNING: WHILE REMOVING THE BOLTS FROM THE SKIDS, BE SURE TO HAVE A PERSON HOLD AND STABILIZE THE SAFE TO KEEP IT FROM TIPPING, CAUSING INJURY, AND/OR DAMAGE TO THE SAFE AND SURROUNDING STRUCTURES.

WARNING: BEFORE REMOVING THE SHIPPING SKIDS, MAKE SURE THE DOOR IS CLOSED AND LOCKED. THE DOOR OF YOUR SAFE IS HEAVY AND PRESENTS A SAFETY HAZARD UNTIL THE SAFE IS BOLTED DOWN OR SECURED PROPERLY.

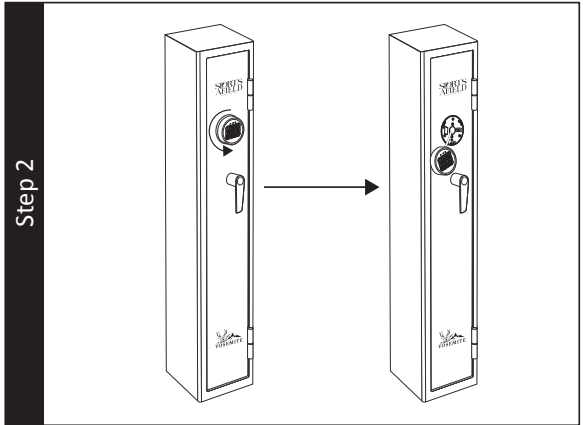
1. Upon receiving your safe, you may find it attached to a shipping skid. The skid is secured from the underside of the safe by four bolts. Remove the four bolts that secure the safe to the skids using a wrench or 11/16" (17mm) socket.
2. With a person stabilizing the safe, carefully tilt the safe to the left, and pull the shipping skid on the right away from bottom of the safe.
3. With the shipping skid removed from one side of the safe, carefully lower the safe to the floor.
4. Follow the same procedure to remove the remaining shipping skid.

6. OPENING YOUR SAFE

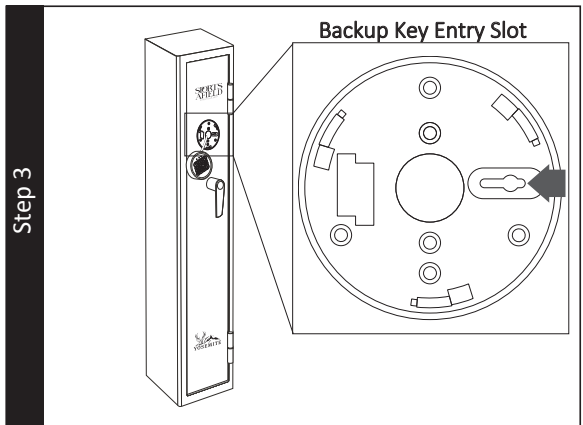
1. Locate the override keys inside the plastic bag hanging on the front of the safe.



2. Remove the E-Lock from the safe by turning the e-lock counter-clockwise. Once the e-lock releases from the safe, allow it to gently hang from the wires, revealing the backer plate.

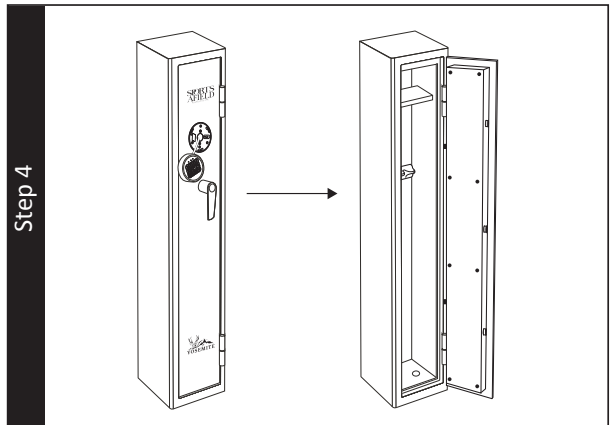


3. Locate the circular keyhole in the backer plate. Insert and turn the key clockwise from 12 to 3 o'clock to unlock.



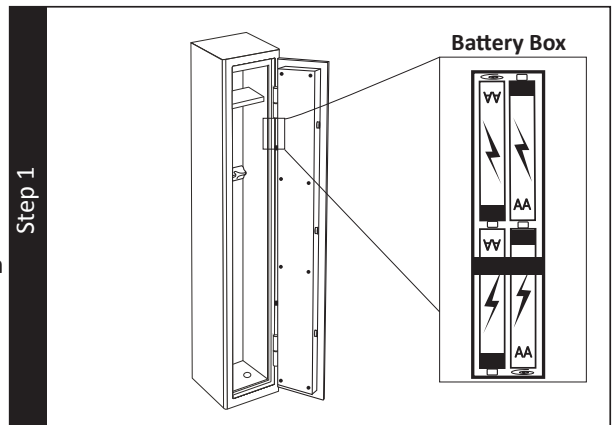
OPENING YOUR SAFE (Continued)

- Turn the handle clockwise until the safe door opens. Once open, turn the handle back to its starting position so the bolts are open and extended. Remove key.



7. E-LOCK BATTERY INSTALLATION

- The E-Lock requires 4 x AA alkaline batteries. Locate the battery compartment on the inside of the door panel. Insert the batteries in the proper orientation and order. Keypad will beep when batteries are successfully installed. Replace battery cover.

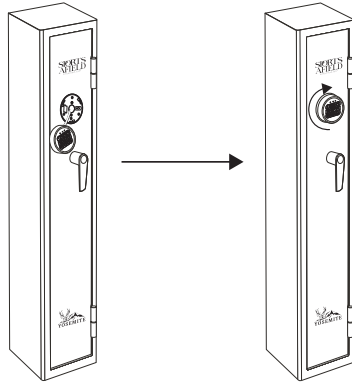


WARNING: The batteries must be inserted with the correct polarity. Exhausted batteries must be removed from the product and discarded safely. Do not mix old and new batteries. Do not mix alkaline or standard (carbon – zinc) batteries. Do not use rechargeable (nickel – cadmium) batteries.

E-LOCK BATTERY INSTALLATION (continued)

2. Replace the E-Lock onto the safe door by aligning the lock face to the backer plate, and twisting clockwise until you feel the e-lock click into place.

Step 2



8. LOW BATTERY WARNING

Red = Low Battery



- This E-Lock is equipped to alert you when the batteries are low by illuminating the center red light on the keypad after # is pressed.
- Always test the batteries when installing or replacing. If the red light comes on when a button is pressed you know the batteries are not fully charged

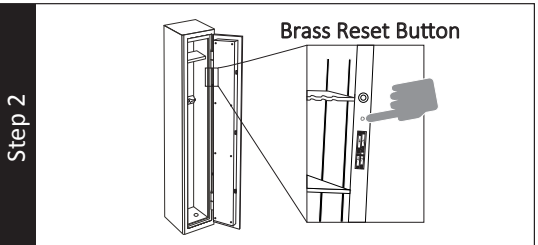
9. E-LOCK SECURITY CODE SETUP

Important: It is necessary to re-program your safe with a new security code you have personally selected to provide maximum household security. Be careful, in choosing your new security code, you'll want to be sure that you can operate the unit quickly without making an error

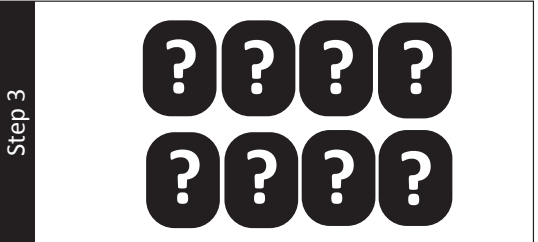
1. Key in the preset factory code [1 5 9 #]. The right light will turn green. Turn the handle to ensure bolts are activated. Once confirmed return handle to starting position to lock bolts out.



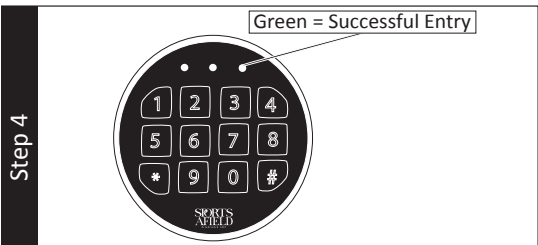
2. On the inside of the safe, near the battery compartment, locate the brass copper cap. Unscrew and remove the cap. Press and release the reset button. You will hear a beep. The yellow left light on the E-lock will illuminate so that you can enter your new code.



3. While the yellow (left) light is illuminated, enter your new 3 to 8 digit security code followed by the [*] symbol. The keypad will beep twice after the [*] symbol. Re-enter the new code, followed by the [#] symbol. Keypad will flash yellow (left), 2 beeps then green (center) to indicates the entry is confirmed.



4. While the safe door is still open, Confirm your newly entered security code by entering the 3-8 digit code followed by the [#]. If successful you will hear two beeps and the green light will illuminate, allowing you to retract the bolts.



E-LOCK SECURITY CODE SETUP (continued)

Note: Do not shut the safe door until you have confirmed your new security code at least 3 times to ensure your code has been saved and you can open the door successfully. If the code fails, the yellow (left) light will flash and beep. Repeat the steps above until successful.

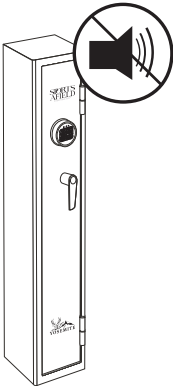
Warning: If the incorrect security code is entered 3 times you will have an automatic lockout for 20 seconds before you can enter your code again. If 3 additional failed attempts are made, the keypad will lockout for 10 minutes. Leave batteries in to go through lockout cycle. If batteries are removed the timer will restart zero.

10. LOCKED OUT OF YOUR SAFE

- In the event you have forgotten the security code your primary action will be to use your backup keys in order to gain access to your safe and follow the E-Lock Security Setup Code instructions, starting at step 2 of activating the brass reset button.
- If you have lost your backup keys, you will need to contact customer service at the number below. Proof of purchase is required to obtain keys.

Customer Service - (888) 792-4264

11. E-LOCK QUIET MODE



- By activating the E-lock quiet mode, the safe will no longer make audible sound when interacting with safe, allowing for silent access

1. To mute the E-Lock, enter the code [* 6 3 3]
2. To turn the sound back on, enter code [* 6 6]

12. PROPER PLACEMENT AND MOVING OF SAFE

WARNING: SAFES ARE VERY HEAVY AND AWKWARD TO HANDLE. PLEASE USE THE UTMOST CARE IN MOVING THE SAFE. UTILIZING A TRAINED PROFESSIONAL WITH PROPER MOVING EQUIPMENT IS HIGHLY RECOMMENDED.

The location of the gun safe is very important and the utmost care should be taken during this consideration.

1. To maximize the fire protection of your safe, we recommend you place the safe in lower levels in your home where fire temperatures are lower and away from highly combustible materials.
2. To maximize burglary protection and stability, securing the safe to the floor is recommended.
3. SA Consumer Products recommends that you store your Safe in a closet, office, basement, bedroom or any other location that is convenient for you but out of direct line of sight from prying eyes. The location of the Gun Safe is very important

Using a dolly capable of supporting the size and weight of your safe, move the safe to your desired location. Please take all necessary precautions to protect and prevent any damage to your flooring.

HELPFUL: TO DETERMINE WHETHER YOUR SAFE WILL MAKE IT THROUGH DOORWAYS, STAIRS OR CORNERS TAKE THE EMPTY SAFE BOX AND SEE IF IT WILL FIT ALL THE WAY THROUGH TO ITS FINAL LOCATION.

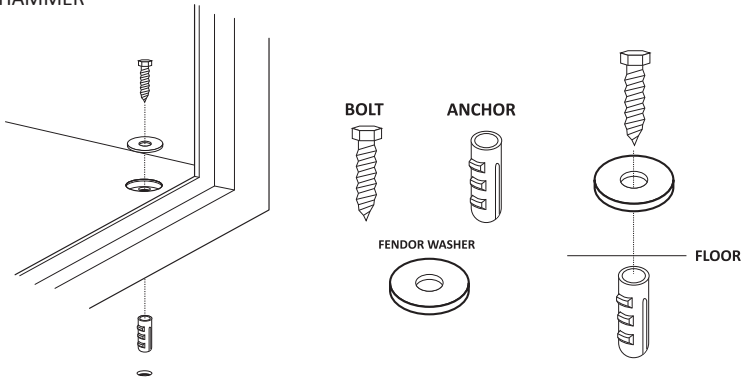
1. The safe should be installed adjacent to a side wall with minimal space on either side of the safe. Wherever possible, the safe should be flat against the wall and floor. Remove the baseboard and/or wall trim if necessary.
2. Always ensure the safe is in an isolated and dry area. Never place the safe in direct contact with a wet floor. When installing your safe on a concrete floor, use of a moisture/protective barrier is highly recommended. Failure to do so, or exposing the safe to chemicals or other adverse environments, may void the warranty.
3. If your safe seems unlevel, you may need to shim the bottom of the safe to prevent the door from swinging open too quickly, or closing on itself.

13. SECURING YOUR SAFE

WARNING: YOUR SAFE IS DESIGNED TO SUPPORT ITSELF WHEN THE DOOR IS OPENED. HOWEVER, CAUTION SHOULD BE USED TO AVOID TIPPING. WHILE SECURING YOUR SAFE BE SURE TO HAVE A SECOND PERSON HOLD AND STABILIZE THE SAFE TO KEEP IT FROM TIPPING, CAUSING INJURY, AND/OR DAMAGE TO THE SAFE AND SURROUNDING STRUCTURES. FAILURE TO DO SO WILL COMPROMISE THE SAFETY, SECURITY AND WARRANTY OF THE SAFE.

TOOLS NEEDED TO BOLT SAFE TO A CONCRETE SURFACE

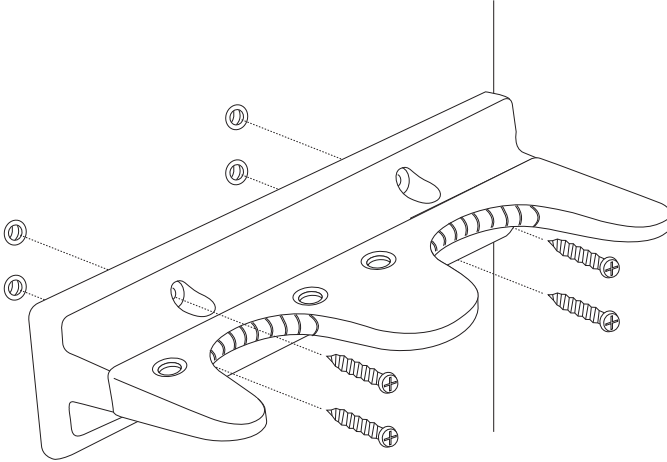
- DRILL / HAMMER DRILL
- DRILL BIT – 1/2" (for installing into concrete with provided hardware)
- WRENCH / 11/16" (17MM) SOCKET
- HAMMER



1. Use the hardware provided or consult your hardware retailer for fastening hardware for your particular mounting surface.
2. Open your safe door and locate and remove the four black caps on the safe floor. This will provide access to the factory drilled bolt down holes.
3. To secure your safe to the floor it will first be necessary to drill pilot holes in the floor surface.
4. Drill the appropriate diameter and depth of pilot holes based on the type of hardware being used and the type of floor surface. For the hardware provided (concrete floor installation) we recommend using a hammer drill and 1/2" concrete drill bit to drill holes the four corresponding holes in the concrete floor.
5. Insert and drive the plastic anchoring plugs into the pilot holes. You may need to use a hammer to fully insert the plugs into the pilot holes.
6. Secure the safe, by threading all 4 anchor bolts through the factory drilled bolt down holes in the bottom of the safe and ratcheting down tight.
 - Make sure the metal washer sits on top of the rubber washer. Tighten the bolt to compress the rubber washer between the safe and metal washer. Failure to do so, will allow water to enter the safe in the event of a flood.
7. Replace the four black caps onto the floor of the safe.

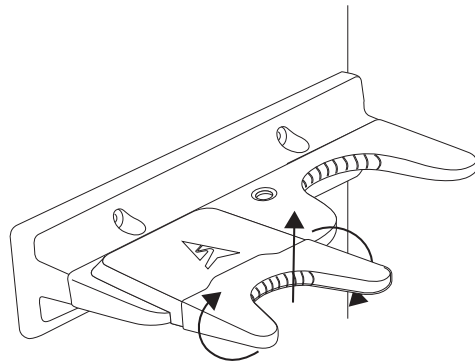
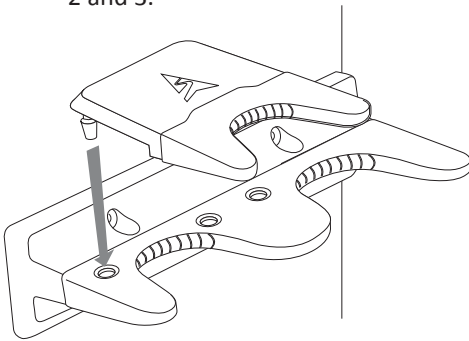
14. GUN REST INSTALL

1. Remove Hardware and Gun Racks from Package
2. Place into side of safe at corresponding drywall anchors
3. Affix in place with provided hardware



15. GUN REST STANDOFF INSTALL

1. Remove Standoff from Package
2. Line up anchor pins with gun rack receptical holes.
3. Press firmly in place until an audible click is heard
4. To remove or to change location simply gently twist either clockwise or counter clockwise while lifting up until the standoff releases. to replace repeat steps 2 and 3.



16. LOADING YOUR SAFE

1. Store documents or heat sensitive items in the bottom of the safe for greatest protection against fire damage.
2. Store ammunition separately from valuables.
3. Do not put anything in your safe that will put pressure against the door when it is closed.
4. Select safe models have reinforced shelving but as a good safety precaution store heavier items either on the floor of the safe or away from the middle of the shelves.
5. When loading guns into your safe, make sure they rest securely against the cutouts provided in the gun racks to prevent accidental tipping when the door is closed.

17. KEEPING YOUR SAFE DRY

We recommend placing a moisture/protective barrier between your safe and concrete floor to prevent any moisture, mildew and rust damage the safe. Installing your safe in a place with climate control (heat in the winter and cooling in the summer) is highly recommended. In areas of high humidity or frequent temperature fluctuations (garages) it is recommend to take appropriate precautions to ward against moisture damage. We strongly encourage the use an internal dehumidifier and/or desiccants to protect your contents from rust or mildew. Internal dehumidifiers should not be in direct contact with the side or back walls.

18. MAINTAINING HINGES AND INTERNAL MECHANISMS

The hinges and internal locking mechanism are permanently lubricated, thus needing no maintenance. Opening the door panel of your safe may void your warranty. Always consult our customer service experts prior to doing so.